

54X CD-ROM DRIVE CRMC-FX5400 SERIES



HIGH PERFORMANCE • LONG LIFE



**MITSUMI**

*Power in Peripherals<sup>®</sup>*

**CD-ROM**

**GUARANTEED QUALITY**

[www.mitsumi.com](http://www.mitsumi.com)

## Specifications

- ❑ 54X max Data Transfer Rate
- ❑ 8100 KBytes/sec.
- ❑ 75 ms Access Time
- ❑ ATAPI IDE Interface with 128 KB buffer
- ❑ Support for International Computer Standards and Formats:
  - CD-Audio
  - CD-ROM mode1 and mode2
  - CD-ROM XA (mode2/form1 and mode2/form2)
  - CD-I
  - Photo CD (single and multi-session)
  - CD-R
  - CD-RW
  - Video CD
  - Enhanced CD
  - CD-Text
- ❑ MPC-3 compliant
- ❑ Supports Ultra DMA, Multiword DMA modes, PIO mode
- ❑ Audio Connector: 4-pin ATAPI IDE compliant
- ❑ Audio: 2 channels, 44.1 KHz
- ❑ Orientation: Vertical or Horizontal
- ❑ 100,000 hours MTBF
- ❑ Mounting screw type M3x0.5
- ❑ Long-life brushless motor
- ❑ 1-Year Limited Warranty

## System Requirements

- ❑ 486™ SX/25 MHz or higher PC or compatible system
- ❑ 4 MB RAM (8 MB recommended)
- ❑ DOS 3.3 or Windows® 3.1 or higher

## Power Requirements

- ❑ DC 5V, DC 12V

## Operating Environment

- ❑ Temperature Range: +5 to +50 deg. C (during operation)

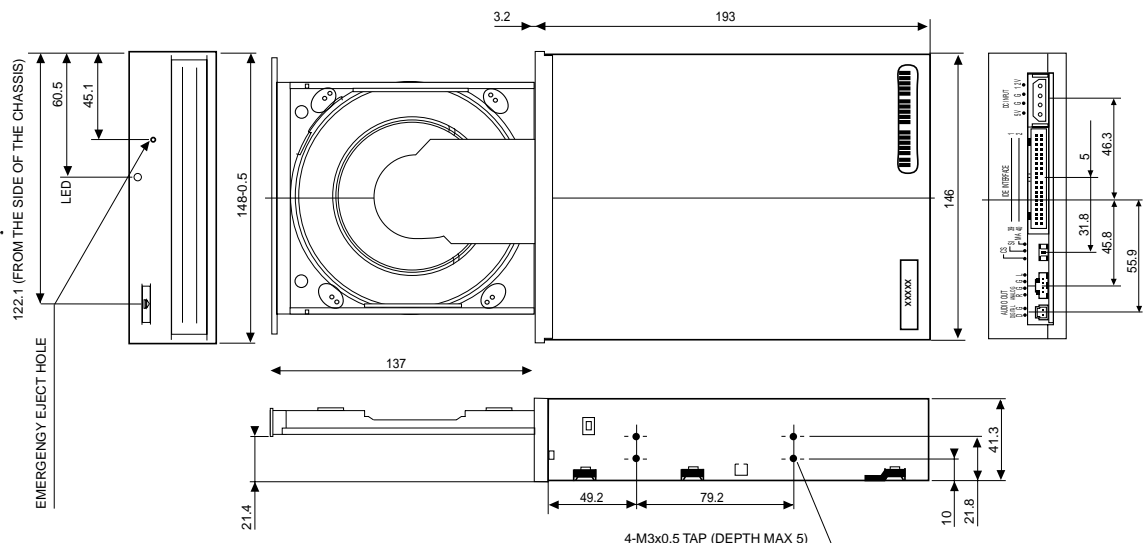
## Dimensions

- ❑ 5 3/4" wide x 1 5/8" high x 7 15/16" deep
- ❑ Weight: 0.81 kg

# 54X MAX CD-ROM Drive

The Mitsumi 54x Max CD-ROM drive uses state of the art CAV technology to achieve high speed data transmission speeds of 3540 KBytes/sec. (23.6x) at disk inner circumference, and 8100 KBytes/sec. (54x) at disk outer circumference. Featuring fast 75ms access time and Ultra DMA and Multi-Block transfer support, the advanced IDE interface utilizes unused data channels normally used by the hard disk drive. The double dustproof system insures long life and the convenient electric from load tray means easy horizontal or vertical mounting. With the Mitsumi 54x Max CD-ROM drive you have today's fastest performance for multimedia, games, digital photos and multisession CDs including CD-R(W) multi-read capability.

Mitsumi makes and ships millions of reliable PC peripheral products every year around the world. In fact, Mitsumi is the world's largest manufacturer of PC peripherals including keyboards, mice, optical drives and floppy disk drives. We keep our quality up while helping to keep your costs down.



Units: mm